

975EVO CHAINSAW



Tesmec 975 EVO Chainsaw is a 40 metric ton-class trencher featuring a 375 HP (285 kW) engine conceived for rock excavation in utilities projects such as fiber optic, electric cables, water conduits, and pipelines

STANDARD FEATURES

Versatility Exploit the versatility of 975EVO tractor and chainsaw attachment, offered as standard with crumbshoe or protection bar kit, stabilizers, cross conveyor system, TrenchTronic and Re.M.

Modularity Enhance 975EVO potential thanks to its modularity. This model is available also with a Rockhawl attachment, making it the ideal solution for multiple applications. Through the swap kit it is possible to change the machine backend and use it for other projects.

Safety in cab Experience the safety of the pressurized cab with air conditioning, heating and sound suppression. This is elevating with ROPS and FOPS, as well as compartment security locks.

OPTIONAL FEATURES

- Side mounted truck loading conveyor, not foldable
- Air compressor, automatic greasing kit, security kit, work light package and rubber track pads
- Reel carrier, rollers and laying box for mechanical laying
- TrenchIntel, Smart Tracker, Laser automatic system for depth control
- Remote control for maintenance and trencher radio control system
- Tilt undercarriage
- Swap kit to Rockhawl attachment

STATE OF THE ART TECHNOLOGY

TrenchIntel The extra high precision 3DGPS guidance system for automatic depth and grade control, autosteering to a predefined path, pass optimization and fleet control

TrenchTronic 5.0 Electronic control with operator selectable digging pressure, fully automatic operation, and remote diagnostic system

Re.M The remote monitoring system with machine data remote monitoring, fleet location management, troubleshooting information and operating conditions

TRENCHING DIMENSIONS

SINGLE CHAIN BOOM

4' - 10'
14" - 20"

DOUBLE CHAIN BOOM

4' - 10'
24" - 36"

TESMEC
draw the way forward


www.tesmec.com

TRANSPORT DIMENSIONS

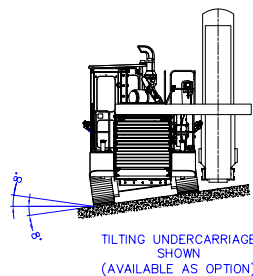
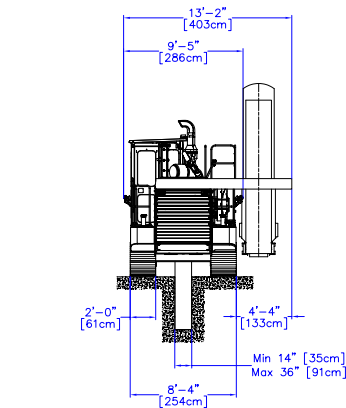
	US	METRIC	
Lenght	4 ft boom	29' 5"	896 cm
	6 ft boom	32' 0"	974 cm
	8 ft boom	34' 4"	1.047 cm
	10 ft boom	36' 10"	1.123 cm
Width	With digging motors	9' 5"	286 cm
	Without digging motors	8' 4"	254 cm
Height	11' 0"	335 cm	
Weight	55,100 - 88,100 lbs	25.000 - 40.000 Kg	
Ground pressure	9.7 - 15.6 psi	0.68 - 1.10 kg/cm2	

ENGINE

	US	METRIC
Model and Max HP (kW)		
Tier 4/Stage V	CAT C9.3B	375 HP (280 kW)
Tier 3	CAT C9.3B	375 HP (280 kW)
Max no load rpm	2.000 RPM	
Fuel tank capacity	174 gal	660 L
Fuel consumption (at full load)	18 gal/hr	68 L/hr
AD Blue/DEF consumption		
Tier 4/Stage V	1.43 gal/hr	5.44 L/hr
Cooling rating	130°F ambient air	54°C ambient air
Air cleaner	Dry type, two stages with pre-cleaner and automatic dust ejection	

TRACKS

	US	METRIC
Track chain type	D5	
Track lenght	9' 9"	298 cm
Track pad width	2'	61 cm
Track pad type	Triple grouser	
Self-leveling (tilting) undercarriage	Triple grouser (single or double available as option)	



CRAWLER DRIVE

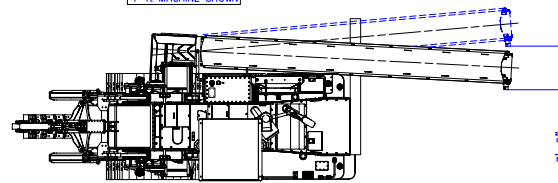
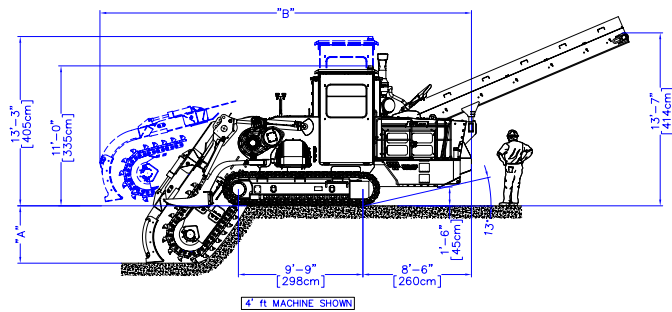
	US	METRIC
Drive	Dual path, hydrostatic, planetary transmissions	
	Full counter rotation with single lever steering and single lever direction	
Infinitely variable speed	Forward and reverse	
High range	0 - 1.71 mph	0 - 2.75 km/h
Low range	0 - 0.86 mph	0 - 1.38 km/h
Parking and service brake	Spring applied, hydraulic release, wet disc brake	

DIGGING DRIVE

	US	METRIC
Drive	Hydrostatic, two pumps and two motors	
Flywheel gearboxes	Shaved, helical gearing, case hardened for shock load	
Digging speed ranges	0 - 340 fpm	0 - 104 m/min
	0 - 470 fpm	0 - 143 m/min
	0 - 610 fpm	0 - 186 m/min
	0 - 675 fpm	0 - 206 m/min
Digging chain	Single or double chain 54/345	
Digging chain adjustment	Positive locking	
Cutters	Rotary carbide tipped	
Cutters shank diameter	1" 1/2	3.81 cm
Cutters gage	3"	7.62 cm

CROSS CONVEYOR

	US	METRIC
Reversible and shiftable	Yes	
Conveyor belt speed	0 - 790 fpm	0 - 240 m/min
Conveyor discharge direction	Right or left	
Conveyor belt width	1' 11"	60 cm
Conveyor lenght	8' 3"	250 cm



BOOM	"A"	"B"
4'	4' [122 cm]	29'-5" [896 cm]
6'	6' [183 cm]	31'-11" [974 cm]
8'	8' [244 cm]	33'-0" [1047 cm]
10'	10' [305 cm]	36'-10" [1123 cm]

Pictures & drawings can be different according to technical specifications - Updating programme variations without notice are possible

TESMEC
draw the way forward

[in](#) [yt](#) [ig](#) [fb](#)
www.tesmec.com